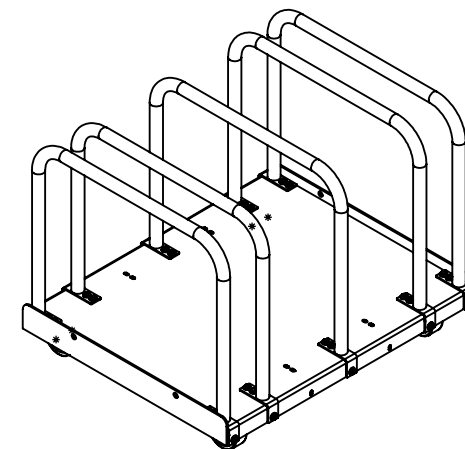
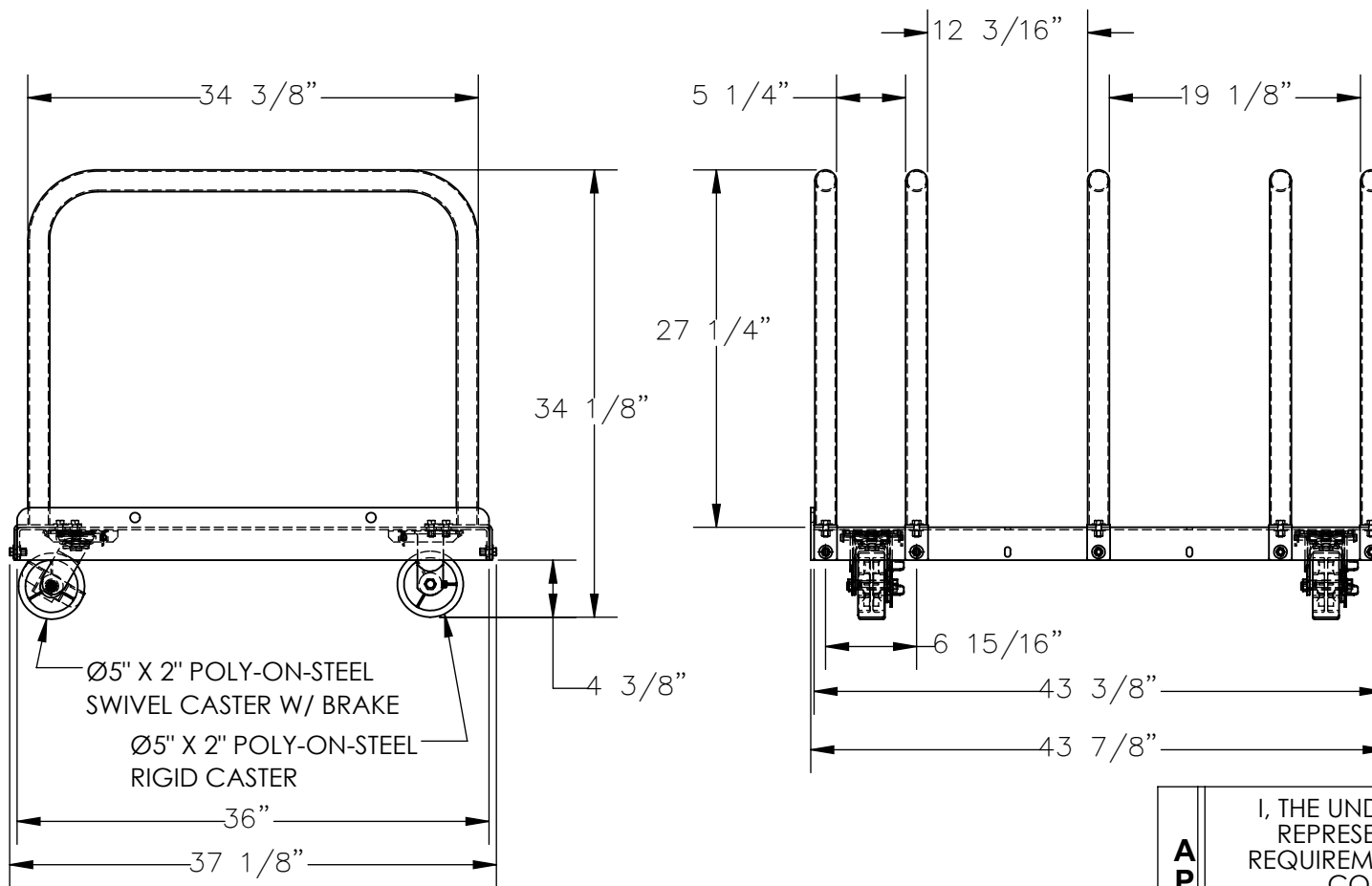


HEAVY DUTY PANEL CART, 44" WIDE, ADJUSTABLE BAYS - PRCT-HD-44-AB

*** ANY ADDITIONS, DELETIONS, OR OMISSIONS MUST BE CORRECTED ON THIS DRAWING AS THIS DRAWING WILL BE CONSIDERED ALL INCLUSIVE ***

ALL GRAPHICS PROVIDED ARE FOR REFERENCE ONLY. IF CERTAIN DIMENSIONS ARE CRITICAL PLEASE VERIFY THOSE DIMENSIONS WITH YOUR SALESPERSON

APPROX WEIGHT: 224.27 lbs.
DOES NOT INCLUDE WEIGHT OF POWER OR PACKAGING!!!



DIMENSION TOLERANCE ± 1/4"

STANDARD FEATURES

MODEL NUMBER IS: PRCT-HD-44-AB

OVERALL WIDTH IS: 43 7/8"

OVERALL LENGTH IS: 37 1/8"

OVERALL HEIGHT IS: 34 1/8"

USABLE DECK IS: 43 3/8" WIDTH x 36" LENGTH

CAPACITY IS: 4,000 LBS EVENLY DISTRIBUTED

(5) SUPPORT RAILS INCLUDED W/

(7) MOUNT LOCATIONS POSITIONED ON 6 15/16" CENTERS

(2) Ø 5" x 2" POLY-ON-STEEL SWIVEL CASTERS W/ BRAKE

(2) Ø 5" x 2" POLY-ON-STEEL RIGID CASTERS

DECK IS: TOUGH BAKED IN POWDER COATED BLUE FINISH

SUPPORT RAILS ARE: TOUGH BAKED IN POWDER COATED YELLOW FINISH

SPECIAL FEATURES

NONE

APPROVAL

I, THE UNDERSIGNED, AGREE THAT THE PRODUCT AS REPRESENTED SATISFIES DESIGN AND DIMENSION REQUIREMENTS. I ALSO ACKNOWLEDGE MY DUTY TO CONFIRM PRODUCT AND INSTALLATION COMPLIANCE WITH ALL APPLICABLE FEDERAL, STATE AND LOCAL REGULATIONS AND STANDARDS.
UNITS REQUIRING APPROVAL DRAWINGS OR MODIFIED ARE NON-RETURNABLE

[] As drawn [] As marked

Signed: _____ Date: _____

Printed Name: _____

LEAD TIME WILL START UPON RECEIPT OF SIGNED APPROVAL DRAWING

DISTRIBUTOR'S NAME:		P.O.#
VESTIL MANUFACTURING		X
DRAWN BY: JGP	DATE: 2/17/2021	W.O.#
REFERENCE: X	SCALE: 1:14	X
QUOTED LEAD TIME: X	QUOTE #	FILE NAME:
	X	16-007-526